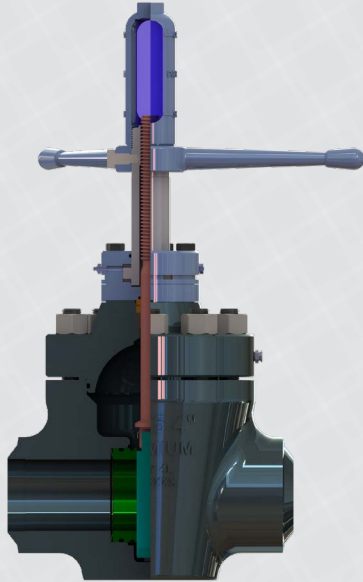


NV-7500 3" MUD GATE VALVE

with Proprietary M2M™ Seat Technology



The Premium Oilfield Technologies Model NV75 Mud Gate Valve uses M2M™ sealing technology. This technology allows our valve to be one of the longest lasting valves in the industry and is used in applications up to 7500 psi. Unlike conventional mud valves with rubber seats that wash out quickly, the NV75 uses single piece seat rings creating an upstream metal to metal seal. This upstream design helps eliminate debris contamination into the valve body and reduces wear on internal components.

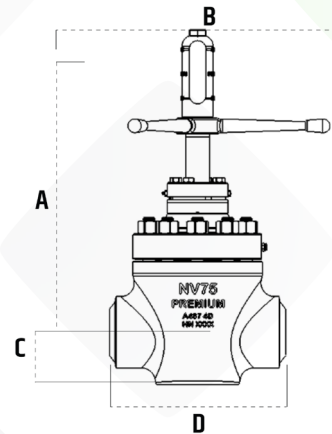
BENEFITS

- ◆ Single piece seats
- ◆ Metal to metal sealing
- ◆ Reduced wash-outs: Upstream sealing reduces solids in valve cavity
- ◆ High performance urethane stem packing
- ◆ Stainless steel stem, gate and seats. Forged bonnet
- ◆ Certificates available up to API PSL-2

APPLICATIONS

- ◆ 7500 psi mud systems
- ◆ Standpipe manifolds
- ◆ MPD manifolds
- ◆ Bleed lines
- ◆ 3" and 4" XXH butt-weld or flanged

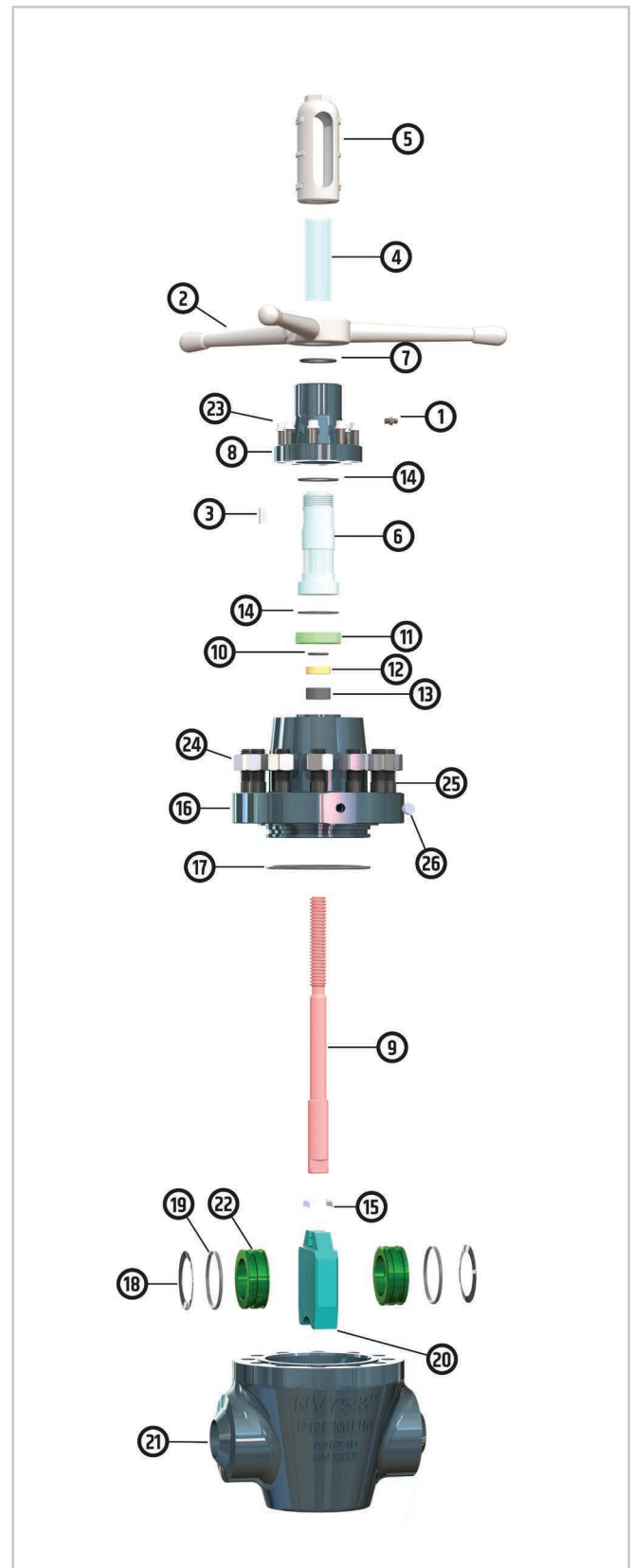
Dim	4" XXH	4" Flanged	3" XXH
A	24.31	24.31	24.31
B	24.00	24.00	24.00
C	4.25	4.25	4.25
D	13.00	24.38	13.00



3" NV-7500 MUD GATE VALVE

with Proprietary M2M™ Seat Technology

Item #	Part #	Kit	Description	Qty
	501-6410		Assembly - 3" XXH weld end	
	501-6420		Assembly - flange end	
	501-6411		Assembly, 4" XXH weld end	
	501-6450		Minor Repair Kit , Includes Y	
	501-6460		Major Repair Kit , Includes X	
1	601-0009		Grease Fitting, 1/8 NPT	
2	501-0550		Handwheel	1
3	501-0580	X	Handwheel Key	1
4	501-0560		Stem Tube	1
5	501-0570		Stem Cap	1
6	501-0590	X	Stem Screw, 1040	1
7	3N7-2226	X	Screw Housing Seal, 2-226 NBR	1
8	501-0610*		Screw Housing, 1040	1
9	501-6475	X	Stem, 410SS QPQ	1
10	3H9-2214	X	Secondary Seal, 2-214 HNBR	1
11	501-0640		Packing Retainer, 1040	1
12	501-0651	X	Stem Bushing, AL-BR	1
13	501-0652	X	Stem Seal Packing, HNBR	1
14	601-0660	X	Bearing (Alt. PN 7426-P)	2
15	501-1020	XY	Gate Clip, SS	1
16	501-6476*		Bonnet, A487 4D	1
17	3H9-2361	XY	Bonnet Seal, 2-361 HNBR	1
18	501-6473	XY	Seat Washer, Belleville 3"	2
19	3H9-2339	XY	Seat Seal, 2-339 HNBR	2
20	501-6471	XY	Gate, 410SS TC	1
21	501-6480		Body, Weld End, A487 4D	1
22	501-6472	XY	Seat, 410SS TC	2
23	204-847*		12pt CS .500-13UNC X 1.750LG	8
24	501-0760		Stud, 1.000-8UN X 4.500LG	12
25	210-013		Nut, 1.000-8UN	12
26	601-0220		Grease Fitting, 1/4" NPT, Button Head	1



Premium Oilfield
Technologies
Q1-3977

Premium Oilfield Technologies
10600 W. Sam Houston Pkwy North
Houston, Texas 77064
281.670.5200 ♦ premiumoilfield.com