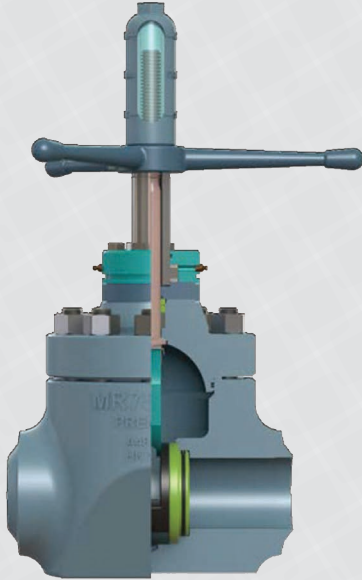


# MR-75 MUD GATE VALVE 3" AND 4" BORE



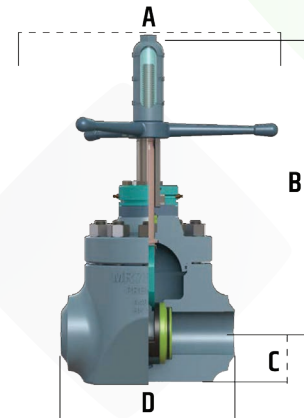
## INDUSTRY-STANDARD AND FULLY INTERCHANGEABLE PARTS AND SYSTEMS

The Premium MR-75 Mud Gate Valve utilizes a field proven design, cross-compatible with legacy Demco profile mud valves. The 7500 psi version is available in sizes from 1.5" to 5" full bore along with major and minor spares kits.

## BENEFITS

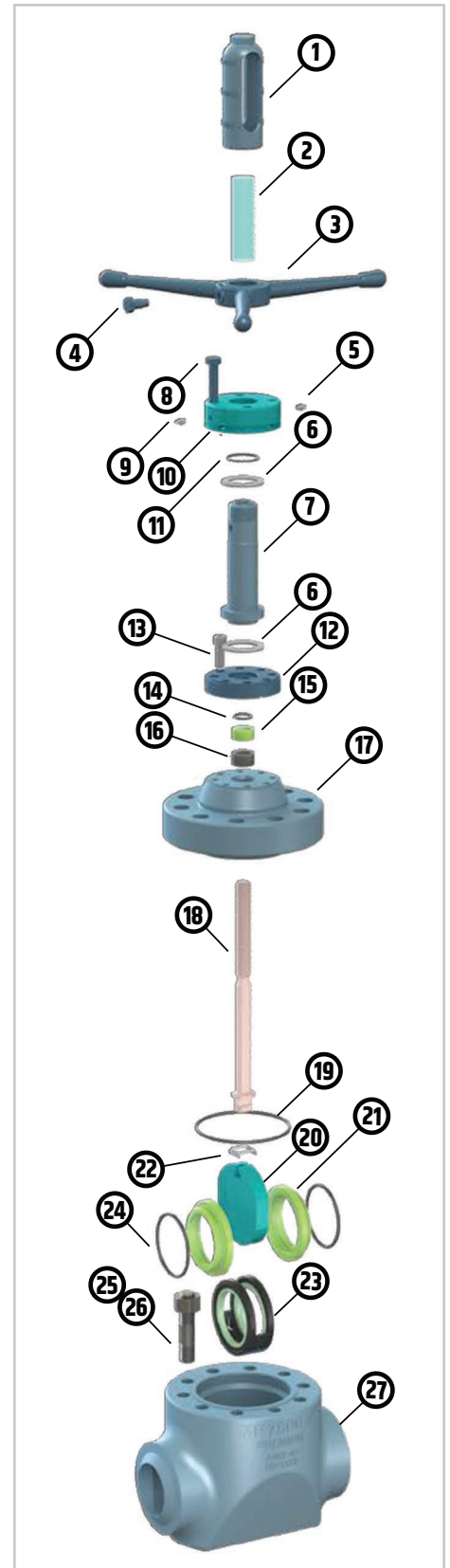
- ◆ Designed to be repaired without taking valve offline
- ◆ Replaceable seat rings that wear instead of the valve body, extending service life of the valve
- ◆ Stainless steel trim is standard on all valves, for high performance in corrosive applications
- ◆ Valves and repair kits are 100% interchangeable with competing brands
- ◆ Major and minor spare parts kits are stocked
- ◆ Available with Patriot™ ultra-high-performance elastomer seats to extend life

| Dim | 3" Bore XXH | 3" Bore Flanged | 4" Bore XXH | 4" Bore Flanged | 4" Bore 1002 |
|-----|-------------|-----------------|-------------|-----------------|--------------|
| A   | 24          | 24              | 24          | 24              | 24           |
| B   | 24.6        | 24.6            | 27.54       | 27.54           | 27.54        |
| C   | 3.38        | 3.38            | 4.5         | 4.5             | 4.5          |
| D   | 13          | 24.38           | 16          | 26.38           | 23.13        |



# MR-75 HIGH PRESSURE MUD VALVE - 3 AND 4" BORE

| Item No. | Part Description          | Kit | 3" BORE (3" XXH) | 3" BORE (3" XXH) - OEM       | 4" BORE (5" XXH) | 4" BORE (5" XXH) - OEM         |
|----------|---------------------------|-----|------------------|------------------------------|------------------|--------------------------------|
| 1        | Stem Cap                  |     | 501-0750         | J007411                      | 501-0920         | J015855                        |
| 2        | Stem Tube                 |     | 501-0560         | J007459                      | 501-0910         | J012852                        |
| 3        | Hand Wheel                |     | 501-0550         | 2139481-01                   | 501-0890         | J015334                        |
| 4        | Hand Wheel Key/Screw      | Y   | 501-0580         | JO5305-10016                 | 501-0900         | J014832                        |
| 5        | Relief Fitting, 1/8 NPT   |     | N/A              | N/A                          | 601-0025         | J051971                        |
| 6        | Bearing                   |     | N/A              | J007426                      | 601-0033         | STEM SCREW W/BEARINGS J0023888 |
| 7        | Stem Screw, 1040          | Y   | 501-0590         | J007416                      | 501-0940         |                                |
| 8        | Bolt-Housing, SAE GR 5    |     | 204-847**        | J002072*                     | 203-1281         | 702500-14-00-34                |
| 9        | Grease Fitting, 1/8 NPT   |     | 601-0009         | J005195                      | 601-0009         | J005195                        |
| 10       | Screw Housing, 1040       |     | 501-0610**       | J007418*                     | 501-0960         | J015332                        |
| 11       | Screw Housing Seal, HNBR  | Y   | 3N7-2224         | J005526-226                  | 3N7-2228         | J005526-228                    |
| 12       | Packing Retainer          |     | 501-0640         | J007413*                     | 501-0990         | J015330*                       |
| 13       | Retainer Screw, SHCP      |     | N/A              | N/A                          | 205-1057         | J005665-32028                  |
| 14       | Secondary Seal, HNBR      | Y   | 3H9-2214         | 2712425-01                   | 3H9-2216         | 2726268-01                     |
| 15       | Stem Bushing, AL-BR       | Y   | 501-0311         | STEM SEAL ASSM. J0011951-008 | 501-1001         | STEM SEAL ASSM. J015853-008    |
| 16       | Stem Seal Packing, FEPM   | Y   | 501-0652***      |                              | 501-1002***      |                                |
| 17       | Bonnet, 4130              |     | 501-0700**       | J017289-029*                 | 501-1050         | 2172523-01*                    |
| 18       | Stem, 410SS QPQ           | Y   | 501-0620         | J024983-107                  | 501-0970         | 2140684-01                     |
| 19       | Bonnet Seal, HNBR         | XY  | 3H9-2361         | 2712787-07                   | 3H9-2364         | 2712426-11                     |
| 20       | Gate, 410SS QPQ           | XY  | 501-0720         | 2139628-02                   | 501-1070         | 2139637-02                     |
| 21       | Body Wear Ring, 410SS QPQ | XY  | 501-0680         | 2139648-02                   | 501-1030         | 2139649-02                     |
| 22       | Gate Clip, SS             | XY  | 501-1020         | M450505                      | 501-1020         | M450505                        |
| 23       | Seat, 410SS/HNBR          | XY  | 501-0740         | 2139744-01                   | 501-1090         | 2139746-01                     |
| 24       | Wear Ring Seal, HNBR      | XY  | 3H9-2340         | 2712783-03                   | 3H9-2349         | 2712787-04                     |
| 25       | Stud-Body, ASTM A193 B7   |     | 501-0760         | JO02702                      | 501-1110         | 2171976-11-01                  |
| 26       | Nut-Body, ASTM A194 2H    |     | 210-013          | 2709000-10-01                | 170-11A08-00     | 2709000-11-01                  |
| 27       | Body-Flanged End, A487 4D |     | 501-0730**       | N/A                          | 501-1080         | N/A                            |
|          | Body-Weld End, A487 4D    |     | 501-0732**       |                              | 501-1082         |                                |



Premium Oilfield Technologies  
Q1-3977

Premium Oilfield Technologies  
10600 W. Sam Houston Pkwy North  
Houston, Texas 77064  
281.670.5200 ♦ [premiumoilfield.com](http://premiumoilfield.com)